

Fully insulated battery connectors and self-locking terminal screws



Article	Battery connectors and self-locking terminal screws
Version	Fully insulated (V0 design), short-circuit proof, VDE certified, precote® 85 thread lock
Quality	Original equipment quality
Properties	Highly flexible, easy and quick assembly; terminal screws: tightening torque: ≤ 15 Nm, they must not be retightened or reused after assembly
Application	Connection of battery blocks in emergency and safety lighting systems, emergency power and UPS systems, etc.

Block, row and level battery connectors, end arresters and self-locking terminal screws (V0-insulation)

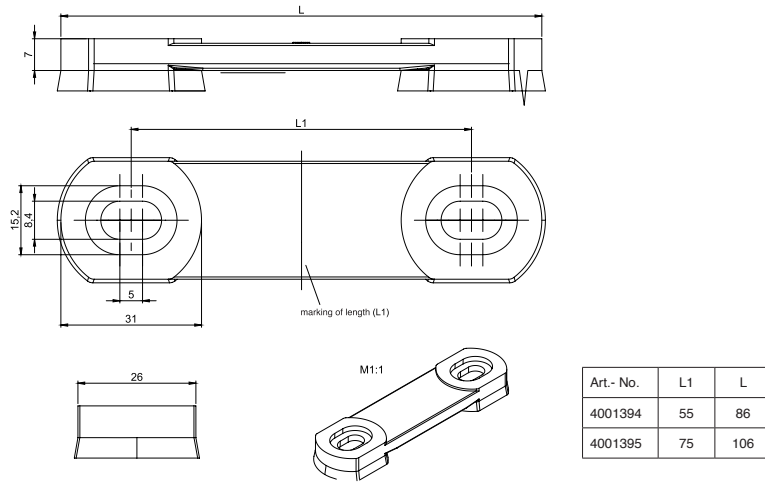
Product	Art.no.	Hole spacing (mm)	Cross section (mm ²)	Connection
Block connector: fixed, fully overmolded, tinned	4001394	55	23 × 3	
Block connector: fixed, fully overmolded, tinned	4001395	75	23 × 3	
Row connector with flexible sealing lip	4001396	400	70	M8
Level connector with flexible sealing lip	4001397	1000	70	M8
End arrester with flexible sealing lip	4001398	3000	70	M8 with a molded head on one side
End arrester with flexible sealing lip	4001399	5000	70	M8 with a molded head on one side
End arrester with flexible sealing lip	4001400	10 000	70	M8 with a molded head on one side
Self-locking terminal screws	4001401			M8 × 18mm



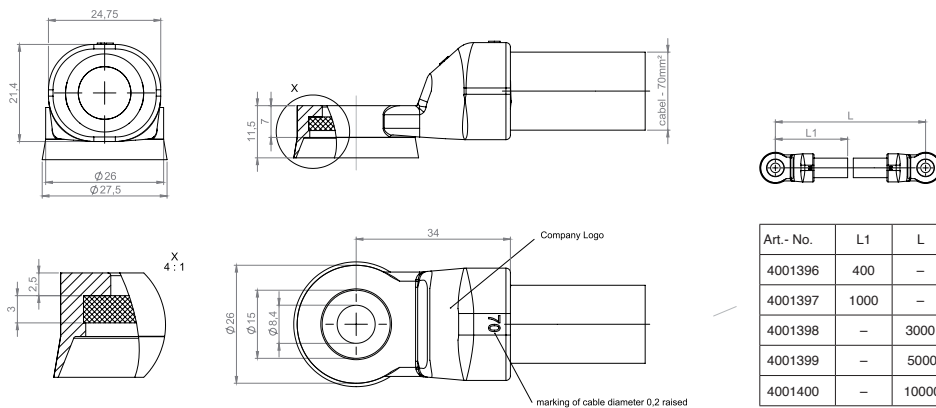
Please order by phone: +49 40 611 631-0, by email: bestellung@battery-kutter.de,
by fax: +49 40 611 631-79 or visit our online shop: www.battery-kutter.de

Fully insulated battery connectors and self-locking terminal screws

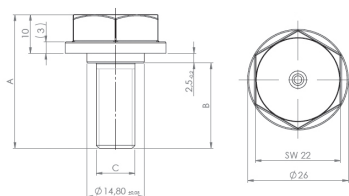
Block connectors



Row and level connectors / end arresters



Self-locking terminal screws



Please order by phone: +49 40 611 631-0, by email: bestellung@battery-kutter.de,
by fax: +49 40 611 631-79 or visit our online shop: www.battery-kutter.de